

Machinery

of the alimex Components division

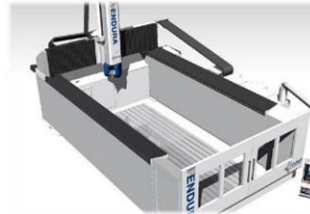
3 x DMU 200 P

X = 1800 Y = 2000 Z = 1100 mm



Fooke 905 linear

X = 4500 Y = 3000 Z = 1500 mm



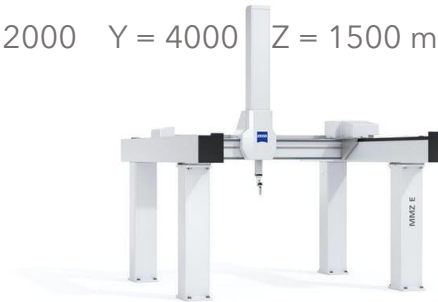
DMU 270 P

X = 2700 Y = 2700 Z = 1600 mm



KMG Zeiss MMZ-E (CMM)

X = 2000 Y = 4000 Z = 1500 mm



Machinery

of the alimex Components division

New equipment

TRIMILL VF 3021

X = 3000 Y = 2100 Z = 1200 mm



TRIMILL VU 4535

X = 4500 Y = 3500 Z = 1800 mm

